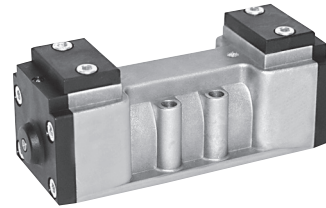


# Valves ISO 5599/1

## ISO 1, 5/2 - 5/3, pneumatically operated



Executions			
Version	Symbol	Code	Item
5/2 pilot/spring		032000	ISO1P50
5/2 pilot/pilot		032001	ISO1P51
5/2 pilot/pilot differential		032002	ISO1P52
5/3 with closed centres		032003	ISO1P70
5/3 with open centres		032004	ISO1P71
5/3 with pressurised centres		032019	ISO1P72



Series of spool valves, conforming to ISO 5599/1 standards for the mounting only on sub-base.  
For the sub-bases type SBA1... see page 2.120.1

### Code key

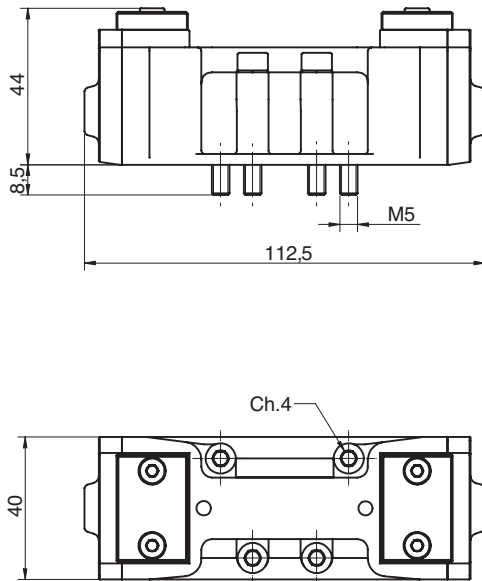
Series	Actuation	Size	Function
ISO	1 2	P = pneumatic	50 = 5/2 pilot/spring 51 = 5/2 pilot/pilot 52 = 5/2 pilot/pilot differential 70 = 5/3 CC 71 = 5/3 CO 72 = 5/3 CP



On request, they can be supplied according Directive 94/9/EC - ATEX  
**CE** **II 2 GDc T5**

Technical data			
Fluid	Compressed filtered air with or without lubrication. Lubrication, if be used, must be continuous.		
Pressure range	0 ÷ 10 bar		
Temperature range	-10°C ÷ +60°C		
Orifice	8,5 mm		
Flow	1100 NI/min at 6 bar with ΔP 1 bar		
Minimum piloting pressure	Monostable: 2 bar	Bistable: 1 bar	3 positions: 2 bar
Mounting	In any position		
Manual override	Monostable on valve body		
Materials	Body:	Aluminium	
	Heads:	Plastic	
	Spool:	Aluminium	
	Distancers:	Plastic	
	Seals:	NBR	

Valves ISO 5599/1  
 ISO 1, 5/2 - 5/3, pneumatically operated



Version	Symbol	Code	Item
5/2 pilot/spring		032000	ISO1P50
5/2 pilot/pilot		032001	ISO1P51
5/2 pilot/pilot differential		032002	ISO1P52
5/3 with closed centres		032003	ISO1P70
5/3 with open centres		032004	ISO1P71
5/3 with pressurised centres		032019	ISO1P72