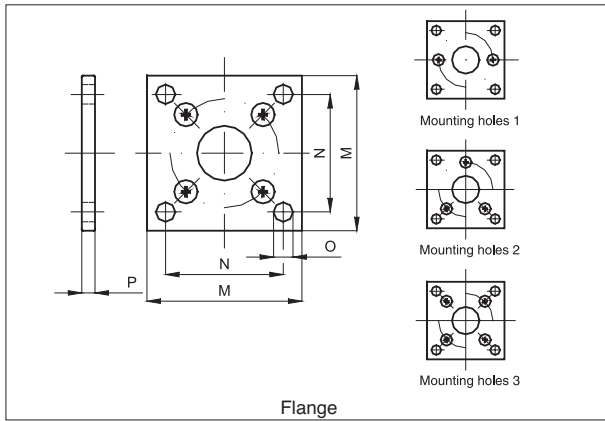


# Hi-Rotor Cylinders

Sizes: 1, 3, 10, 20, 30, 50, 150, 300, 800

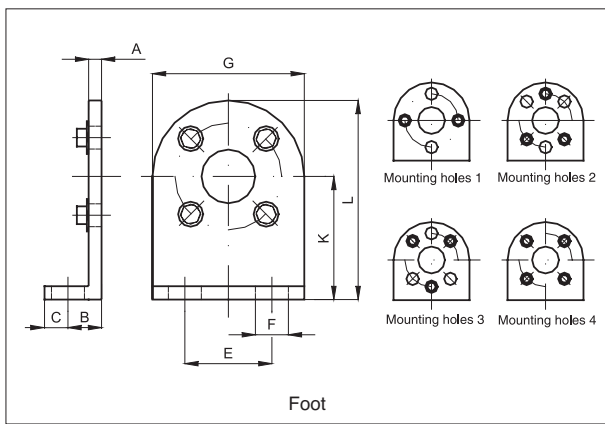
## Mountings



Type: **FP**

Code	Item	Size	M	N	O	P	Mounting holes	Rotation angles*	Kg
040901	FP001	1	30	24	3,4	2	1	180°	0,04
040902	FP003	3	27	30	3,4	2,5	2	120°	0,07
040903	FP010	10	42	34	3,5	3	2	120°	0,14
040904	FP020	20	50	41	5,5	3,5	3	90°	0,36
040905	FP030	30	64	52	5,5	3,5	3	90°	0,47

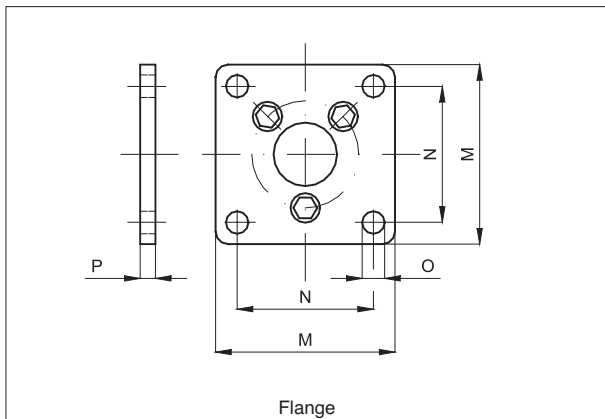
\* The mounting can be rotated through the indicated angle.



Type: **PP**

Code	Item	Size	A	B	C	E	F	G	K	L	Mount. Holes*	Rot. ang.*	Kg
040910	PP001	1	2	10	5	20	4,8	30	22	37	1	90°	0,04
040911	PP003	3	2,5	11	7	26	4,8	36	25	43	2	60°	0,05
040912	PP010	10	2,3	12	8	30	5,8	42	30	51	3	60°	0,09
040913	PP020	20	3,5	15	10	36	7	49	34	58,5	4	90°	0,20
040914	PP030	30	4,5	18	12	48	6,5	66	42	75	4	90°	0,20

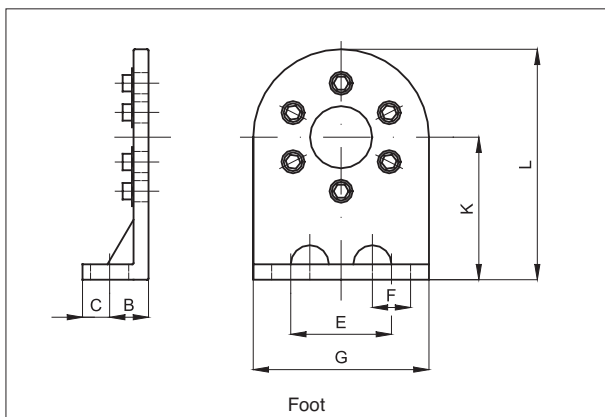
\* The mounting can be rotated trough the indicated angle.



Type: **FP**

Code	Item	Size	M	N	O	P	Rotation angles*	Kg
040920	FP050	50	80	64	7	35	60°	0,20
040921	FP150	150	110	88	9	47,5	60°	0,51

\* The mounting can be rotated through the indicated angle.



Type: **PP**

Code	Item	Size	A	B	C	E	F	G	K	L	Rotation angles*	Kg
040925	PP050	50	4,5	25	10	55	11	75	45	82,5	60°	0,26
040926	PP150	150	10	28	12	80	13	110	65	115	60°	1,14
040927	PP300	300	12	32	13	100	15	140	80	135	60°	1,24
040928	PP800	800	15	35	15	140	15	200	110	185	60°	4,45

\* The mounting can be rotated trough the indicated angle.

# Hi-Rotor Cylinders

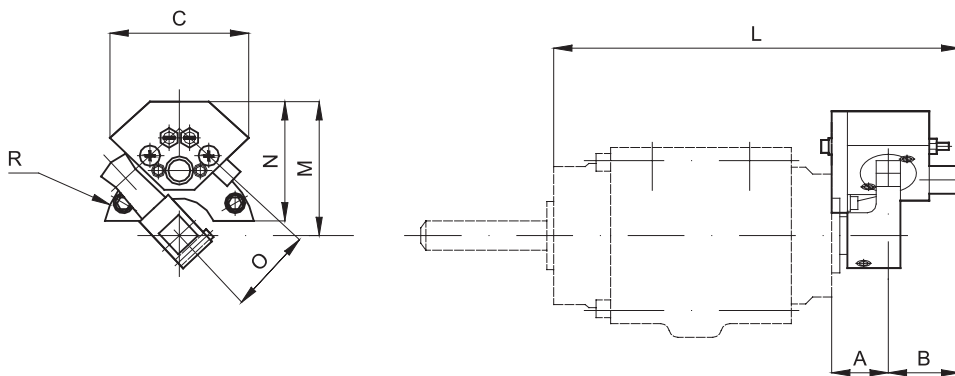
Sizes: 1, 3, 10, 20, 30, 50, 150, 300, 800

Mountings



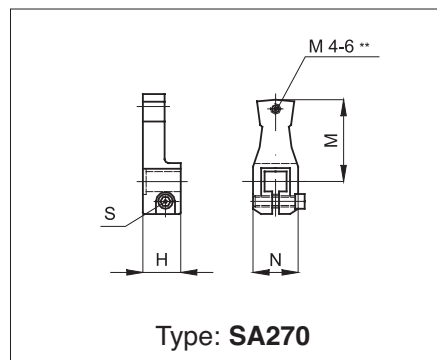
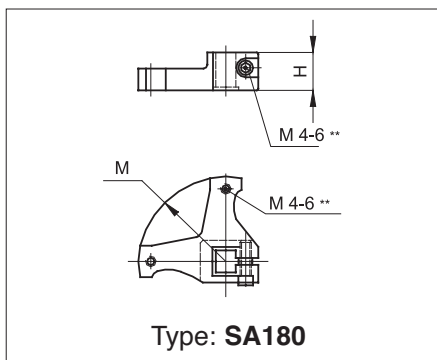
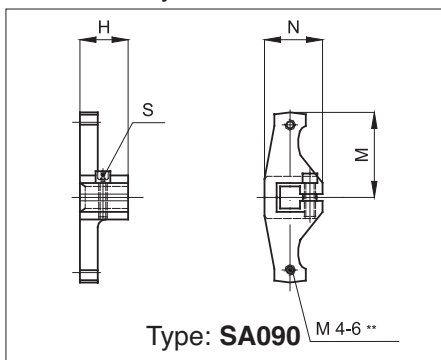
Hydro-cushion kit

Type: **KA**



Code	Item	Size	A	B	C	L	M	N	O	R
040930	KA050	50	20,5	30	56	136,5	54	50	34	38
040931	KA150	150	22,5	34	80	159,5	71,5	62	46	51
040932	KA300	300	25,5	37	95	187,5	95	87	62	68

Bracket for hydraulic cushion

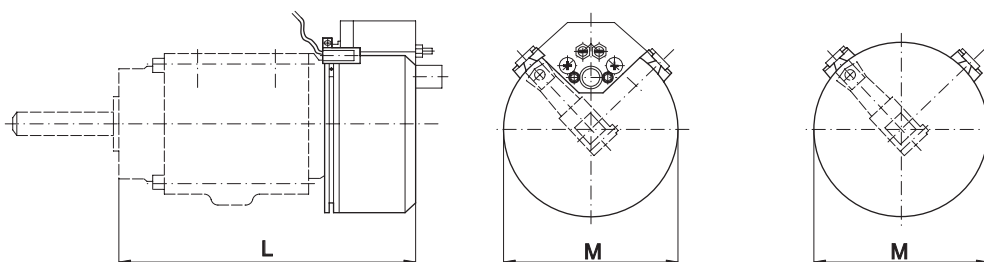


\*\* Depth

Code	Item	Code	Item	Code	Item	Size	H	M	N	S
040935	SA090050	040940	SA180050	040945	SA270050	50	18	38	23	4
040936	SA090150	040941	SA180150	040946	SA270150	150	20	51	28	5
040937	SA090300	040942	SA180300	040947	SA270300	300	23,5	68	40	6

Kit for the mounting of the sensors (with one sensor), option M....

L	M
123	85
143	111
169	145



The kit is to be ordered together with the cylinder.

### Options and technical data of the magnetic reed switches

Option	Nominal voltage (V)	Rating current range (mA)	LED	Varistor
MA1	AC 100 / DC 24	5 ~ 45	•	
MD1	DC 24	25 ~ 65	•	
MA2L	AC 100 / 110	5 ~ 150	•	•
MA2H	AC 200 / 220	5 ~ 150	•	•
MD3	DC 5,6	≤ 50 (inductive load) ≤ 300 (resistive load)	•	
MR	AC / DC 5 ~ 100	≤ 50 (inductive load) ≤ 300 (resistive load)		